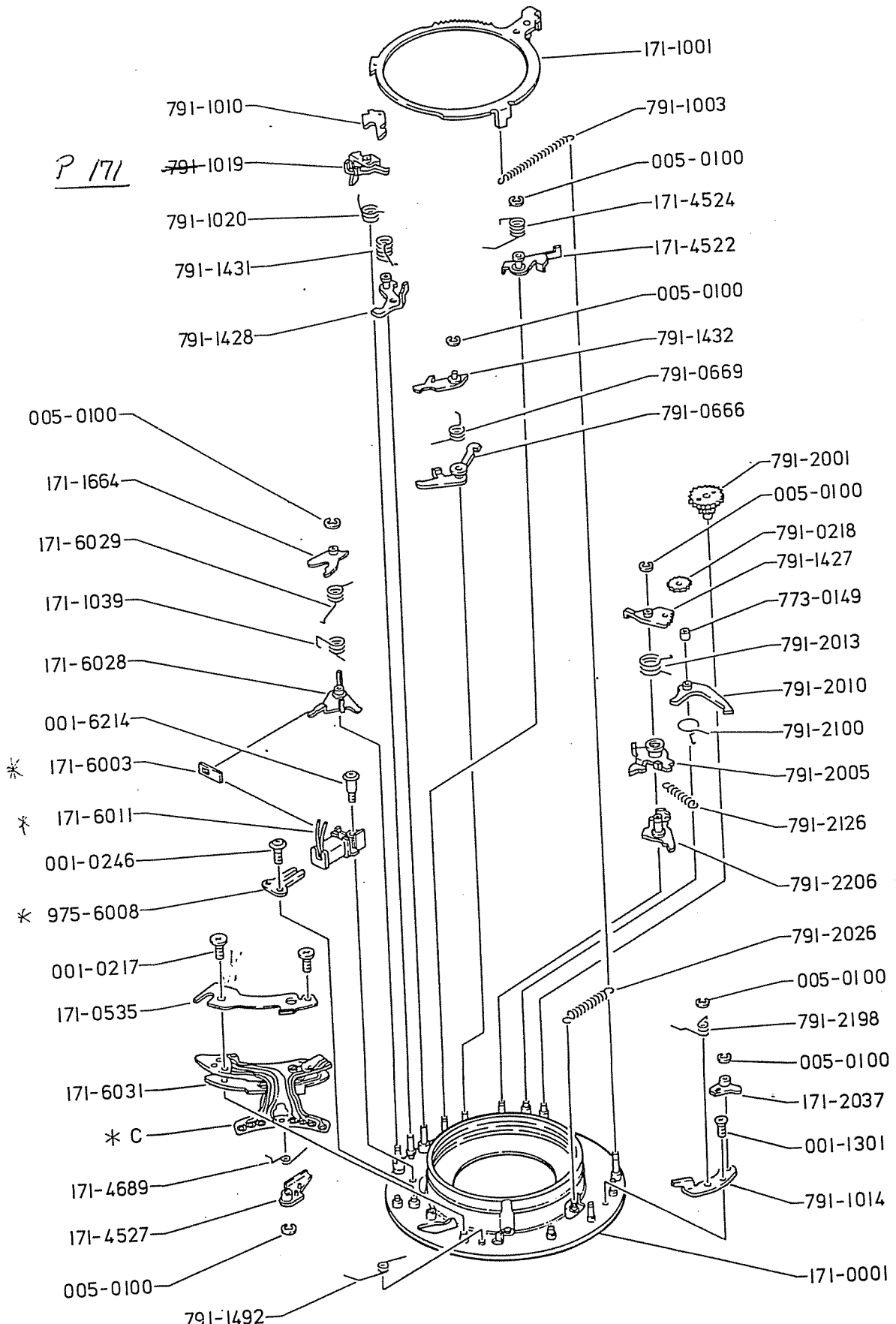
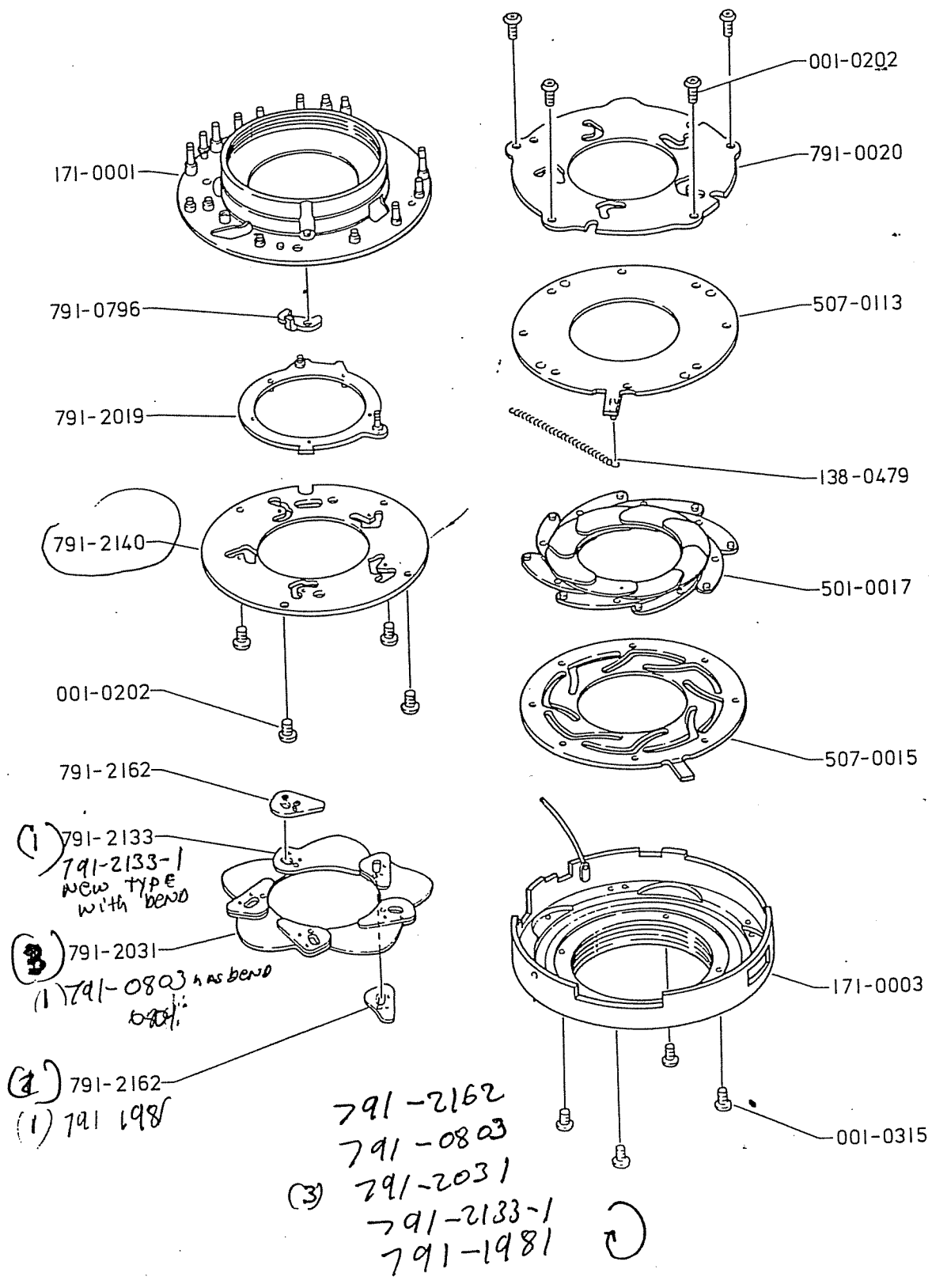


5041
 45)
 0
 7)
 49)
 0

P 171





RB67^{PRO}S

RZ OK.

4 LENS (SHUTTER)

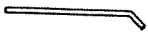

7 TECHNICAL BULLETIN

ASSEMBLY OF SHUTTER SECTOR FOR TYPE #791

1/1

OUR REF.No.RBproS 91-004

ASSEMBLY ORDER CHART

① First	② Second	③ Third	④ Fourth	⑤ Fifth
P/No.791-2031 :Sector A	791-0803 :Sector C  Bend	791-0804 :Sector D	791-2031 :Sector A	791-2133 - 1 :Sector B  Bend
Thickness (mm) : = 0.04	t = 0.04	t = 0.05	t = 0.04	t = 0.04

① a	② b
/No.791-2162 upport Sector A	791-1981 :Support Sector B
ickness (mm) = 0.05	t = 0.05

3. COMMON USE OF SHUTTER TYPE :

TYPE 171, 172, 173, 174, 175, 176,
177, 178, 179, 180, 181, 182,
185, 186, 791, 870, 871.

ASSEMBLY STEP

- 1) Put the Support sector A ① (P/No.791-2162) to ① position.
- 2) Put the Sector A ①, C ②, D ③, A ④, and B ⑤ in the sequence of numeric figure in a small circle.
- 3) Put the Support sector B ② (P/No.791-2162) on the sector A ④.

